

PARTS LIST

[FS-P5]

* All printed circuit boards and its assemblies are not available as service parts.

Area suffix	
J	U.S.A.
C	Canada

- Contents -

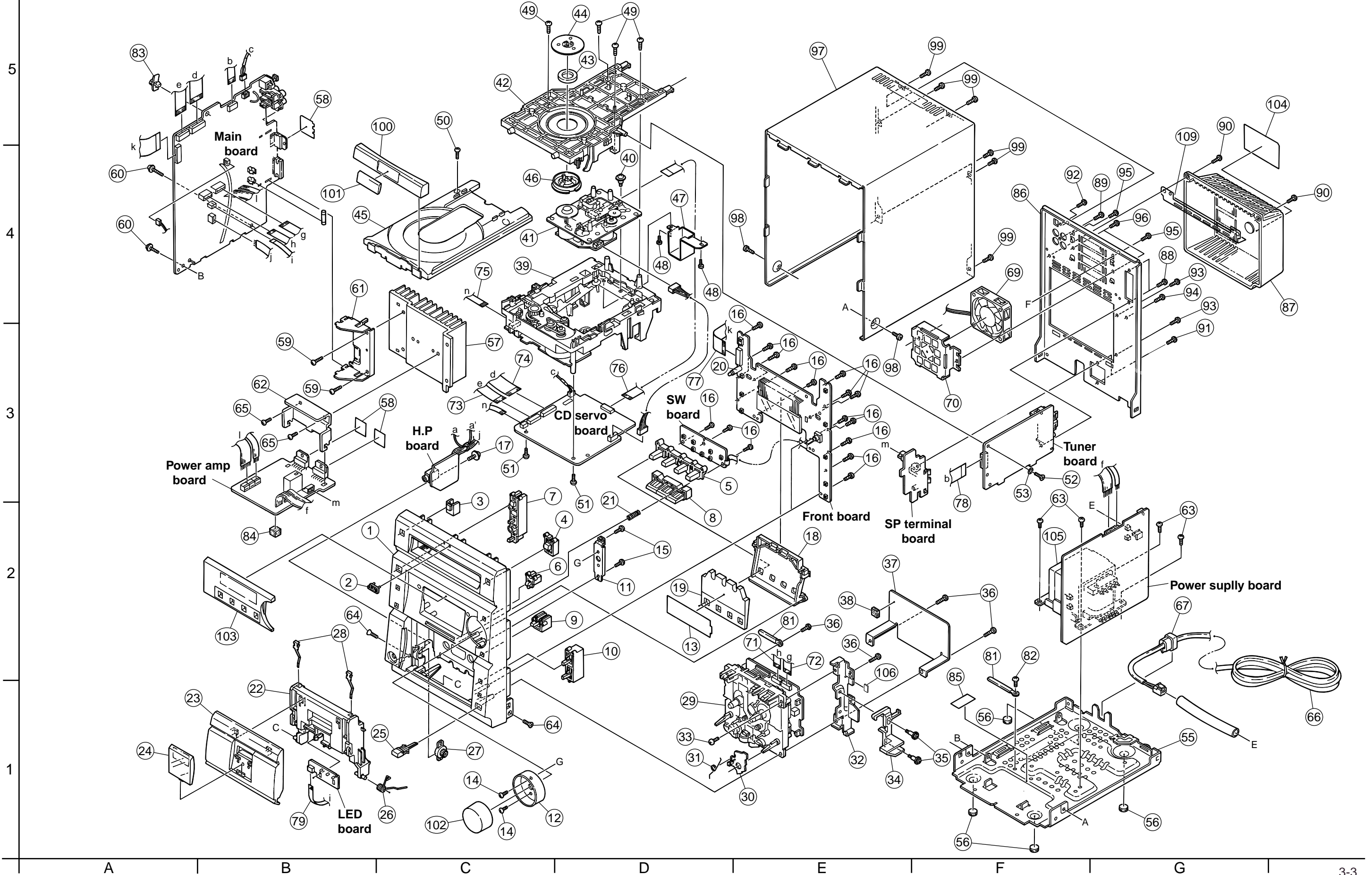
Exploded view of general assembly and parts list	3- 3
Cassette mechanism assembly and parts list	3- 6
CD loading base assembly and parts list	3- 8
CD mechanism assembly and parts list	3-10
Electrical parts list	3-11
Packing materials and accessories parts list	3-22

< MEMO >

Exploded view of general assembly and parts list

Block No.

M	1	M	M
---	---	---	---



■ Parts list (General assembly)

Block No. M1MM

△	Item	Parts number	Parts name	Q'ty	Description	Area
	1	GV10064-005A	FRONT PANEL	1		
	2	GV40077-002A	JVC BADGE	1		
	3	GV40147-001A	REMOTE LENS	1		
	4	GV40150-001A	CD EJECT BUTTON	1		
	5	GV30158-001A	FUNCTION BUTTON	1		
	6	GV40153-001A	SOUND BUTTON	1		
	7	GV30156-001A	BUTTON B	1		
	8	GV30159-001A	CONTROL BUTTON	1		
	9	GV40149-001A	BUTTON A	1		
	10	GV40151-001A	CASS.BUTTON	1		
	11	GV40158-001A	ORNAMENT BKT	1		
	12	GV40156-002A	VOL.ORNAMENT A	1		
	13	GV40179-001A	LCD SHEET	1		
	14	QYSBSG3006Z	T.SCREW	2	VOL.ORN/ORN.BKT	
	15	QYSBSF3008Z	SCREW	2	ORN.BKT/F.PANEL	
	16	QYSBSF3008Z	SCREW	16	PWB BRD/F.PANEL	
	17	E65923-003	TAPPING SCREW	1	PHONE BRD./F.PANEL	
	18	GV30162-001A	LCD HOLDER	1		
	19	GV40173-002A	LCD LENS	1		
	20	GV40194-001A	LED HOLDER	1	LED (STANDBY)	
	21	GV40212-001A	SPRING	1		
	22	GV20109-001A	CASS.HOLDER	1		
	23	GV20110-001A	DOOR COVER	1		
	24	GV40160-002A	DOOR LENS	1		
	25	GV30178-002A	CASS EJECT BUTTON	1		
	26	GV40161-001A	DDOR SPRING	1		
	27	GV40034-001A	DAMPER ASSY	1		
	28	VKY4180-401	CASSETTE SPRING	2		
	29	-----	CASSETTE MECHA	1		
	30	VKL7850-002	EJECT SAFTY(R)	1		
	31	VKW5258-003	TORSION SPRING	1	FOR EJECT SAFET	
	32	GV40162-001A	MECHA BRACKET	1		
	33	QYSBSG3008Z	T.SCREW	1	M.BKT./SLC MECHA	
	34	GV30173-002A	LOCK ARM	1		
	35	GV40164-001A	SPECIAL SCREW	2	LOCK ARM/M.BKT	
	36	QYSBSF3012Z	SCREW	4	SLC./F.PANEL	
	37	GV30124-001A	TRANS SHIELD	1		
	38	GV40170-003A	SPACER	1	SLC(MOTOR)/T.SHIELD	
	39	-----	LOADING BASE	1		
	40	E406293-001	SPECIAL SCREW	1	CD MECHA/LOAD.BASE	
	41	-----	CD MECHA	1		
	42	GV10066-001A	CLAMPER BASE	1		
	43	VYH7313-005	MAGNET	1		
	44	E306836-223SS	CD YOKE (JES)	1		
	45	VYH1240-001	TRAY	1		
	46	E306835-221SS	CD CLAMPER	1		
	47	VMA4619-002	SHIELD CASE	1		
	48	QYSDSR2606Z	SCREW	2		

■ Parts list (General assembly)

Block No. M1MM

△	Item	Parts number	Parts name	Q'ty	Description	Area
	49	QYSBSF3008Z	SCREW	4	CLAMP.BASE/LOAD	
	50	QYSBSF3008Z	SCREW	1	CD TRAY STOPPER	
	51	QYSBSF3008Z	SCREW	2	CD BRD./LOAD ASSY	
	52	QYSSSF3008Z	SCREW	1	TUNER/C.BASE ASSY	
	53	GV40122-003A	SPACER	1		
	55	GV10065-001A	BOTTOM CHASSIS	1		
	56	GV40184-001A	FOOT SPACER	4	CHAS.BASE FOOT	
	57	GV30194-002A	HEAT SINK C	1		
	58	GV40206-001A	MICA SHEET(A)	3		
	59	QYSBSF3012Z	SCREW	2	IC BKT./H.SINK	
	60	QYSBSFG3016Z	SCREW	2	PWB BRD/CHA.BASE	
	61	GV30168-003A	IC BRACKET	1		
	62	GV30193-002A	IC HOLDER	1	SUBWOOFER(FMH)	
	63	QYSBST4006Z	T.SCREW	4	TRANS/CHA.BASE	
	64	QYSSST3008Z	SCREW	2	F.PANEL/C.BASE	
	65	QYSBSF3012Z	SCREW	2	IC HLD./H.SINK	
△	66	QMPD380-200-JN	POWER CORD	1		
△	67	QZW0033-001	STRAIN RELIEF	1		
	69	QAR0170-001	FAN MOTOR	1		
	70	GV30169-002A	FAN BRACKET	1		
	71	QUQ412-0914CJ	FFC WIRE	1	FC33	
	72	QUQ412-1018CJ	FFC WIRE	1	FC34	
	73	QUQ412-1314DJ	FFC WIRE	1	FC652	
	74	QUQ412-1614DJ	FFC WIRE	1	FC651	
	75	QUQ412-0507DJ	FFC WIRE	1	FC631	
	76	QUQ110-1509AJ	FFC WIRE	1	FC601	
	77	QUQ412-1710DJ	FFC WIRE	1	FC932	
	78	QUQ412-0932DJ	FFC WIRE	1	FC1	
	79	QUQ412-0426CJ	FFC WIRE	1	FC934	
	81	VKZ4001-110S	WIRE HOLDER	2	BTTM CHAS & SLC MECHA	
	82	QYSBSG3008Z	T.SCREW	1	W.HOLDER/BTTM.CHASSIS	
	83	GV40223-001A	PUSH SPACER	1	MAIN BRD/M.COVER	
	84	GV40170-004A	SPACER	1	SUB.BRD./TRANFORMER	
	85	VYSA1R4-100	SPACER	1		
	86	GV10067-005A	REAR PANEL	1		
	87	GV10068-002A	REAR COVER	1		
	88	QYSBSGY3008E	SPECIAL SCREW	2	ANT.TEM/R.PANEL	
	89	QYSBSGY3008E	SPECIAL SCREW	1	AUX.TEM/R.PANEL	
	90	QYSBSGY3008E	SPECIAL SCREW	2	R.COVER/R.PANEL	
	91	QYSBSGY3008E	SPECIAL SCREW	2	SPEAKER/R.PANEL	
	92	QYSBSGY3008E	SPECIAL SCREW	1	OPT.OUT/R.PANEL	
	93	QYSBSGY3008E	SPECIAL SCREW	2	R.PANEL/H.SINK	
	94	QYSBSGY3008E	SPECIAL SCREW	1	R.PANEL/GROUND	
	95	QYSBSGY3008E	SPECIAL SCREW	2	R.PANEL/CLAMPER	
	96	QYSBSGY3008E	SPECIAL SCREW	2	FAN BKT./R.PANEL	
	97	GV10069-001A/S/	METAL CAVER	1		
	98	QYSDSG3006M	T.SCREW	2	M.COVER+C.BASE	
	99	QYSBSGY3008E	SPECIAL SCREW	6	M.COVER/R.PANEL	

■ Parts list (General assembly)

Block No. M1MM

△	Item	Parts number	Parts name	Q'ty	Description	Area
	100	GV30165-001A	TRAY FITTING B	1		
	101	GV40166-001A	FITTING LENS	1		
	102	GV40154-002A	VOL.KNOB A	1		
	103	GV30160-004A	FRONT LENS A	1		
	104	GV30172-015A	RATING LABEL	1		
△	105	QQT0323-001	POWER TRANSF	1	T1000	
	106	GV40121-003A	SPACER	1	FOR MECH.BRACKE	
	109	GV40208-001A	PROTECT SHEET	1	COVER H.SINK	

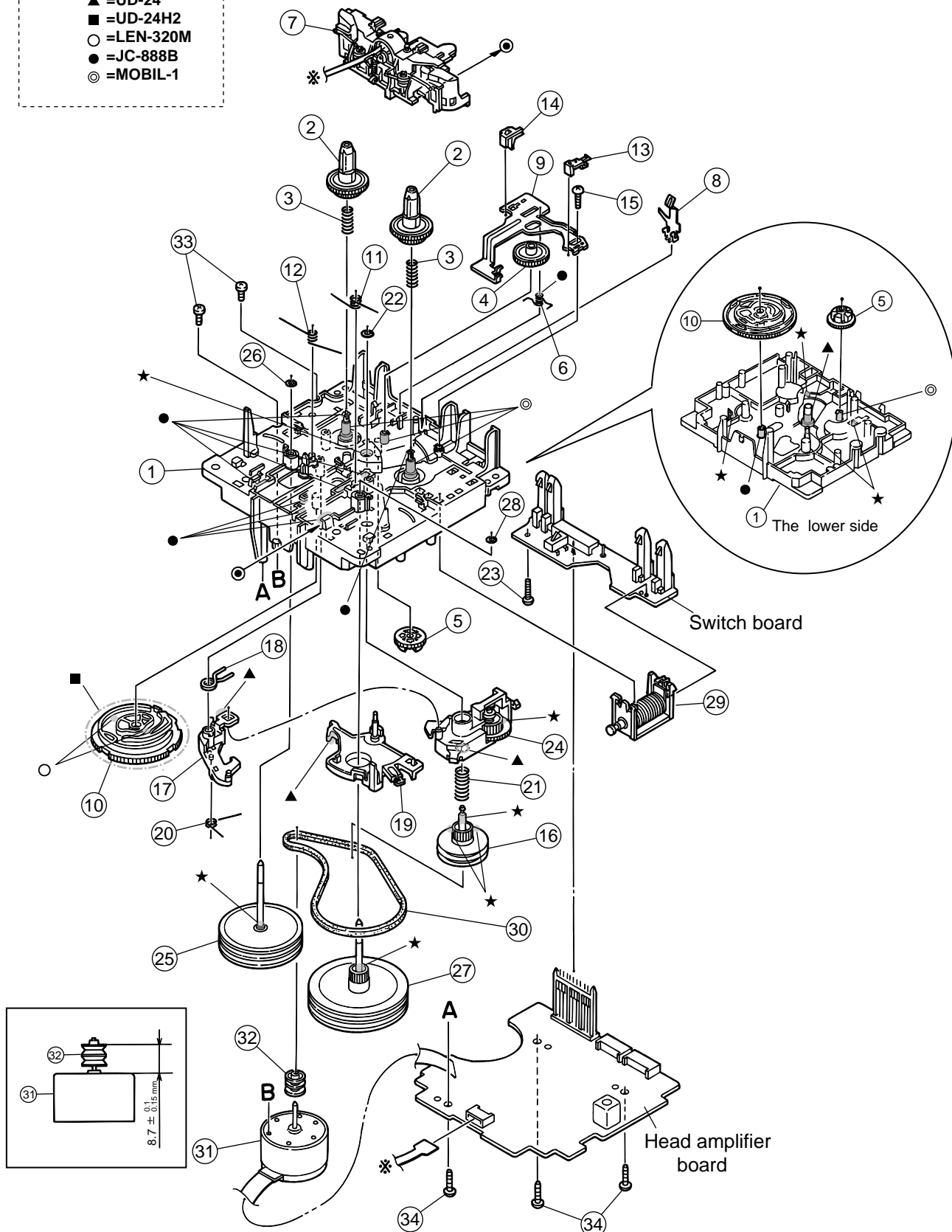
Cassette mechanism assembly and parts list

SLC-S21M

Block No. M 2 M M

Grease

- ★ =EM-30L
- ▲ =UD-24
- =UD-24H2
- =LEN-320M
- =JC-888B
- ◎ =MOBIL-1



Parts list (Cassette mechanism)

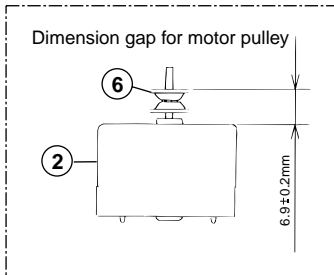
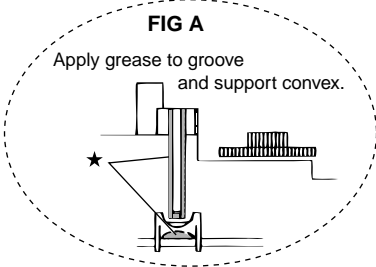
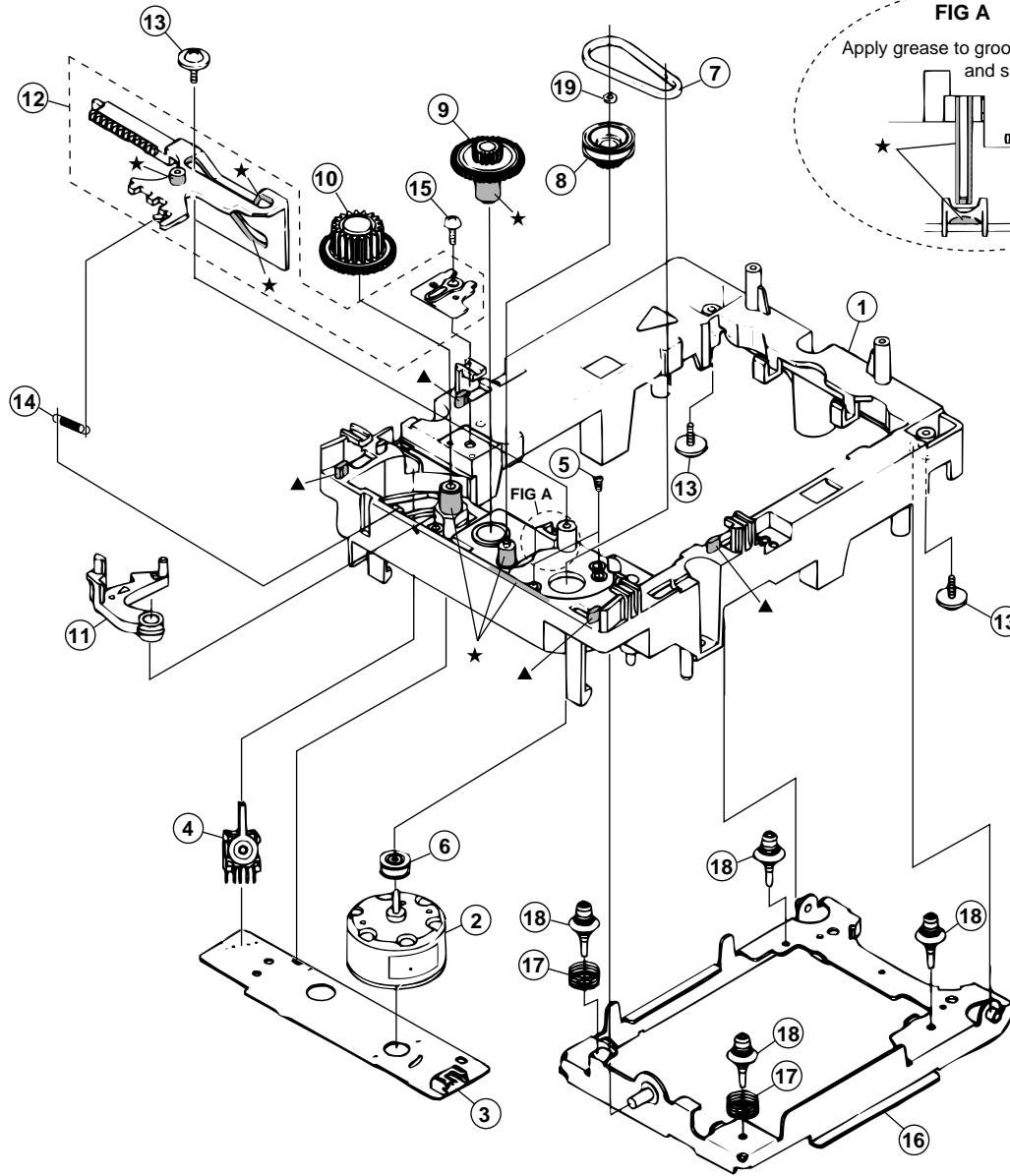
Block No. M2MM

△	Item	Parts number	Parts name	Q'ty	Description	Area
	1	VKS1165-00J	CHASSIS B.ASS'Y	1		
	2	VKS2274-002	REEL GEAR	2		
	3	VKW5286-002	B.T. SPRING	2		
	4	VKS5559-001	PLAY IDLE GEAR	1		
	5	VKS5597-00B	BLIND	1		
	6	VKW5296-001	EARTH SPRING	1		
	7	SLC-RP1SVM	HEAD MOUNT ASSY	1		
	8	VKY3149-002	CASSETTE SP.	1		
	9	LV31786-001A	PLAY SW LEVER	1		
	10	VKS1166-003	CONTROL CAM	1		
	11	VKW5279-001	HEAD BASE SP(R)	1		
	12	VKW5280-001	HEAD BASE SP(L)	1		
	13	LV41584-001A	BRAKE(R)	1		
	14	LV41585-002A	BRAKE(L)	1		
	15	QYSBSF2005Z	T.SCREW	1		
	16	VKS5603-00G	MAIN PULLEY ASY	1		
	17	VKS3785-001MM	FR ARM	1		
	18	VKW5284-002	SWING SPRING	1		
	19	VKS2278-003	TRIGGER ARM	1		
	20	VKW5301-001	FR SPRING	1		
	21	VKW5266-001	ELEVATOR SPRING	1		
	22	WDL214025	WASHER	1		
	23	QYSBSF2005Z	T.SCREW	1		
	24	VKS3786-00G	CLUTCH ASS'Y	1		
	25	VKF3205-00B	F.WHEEL ASSY(R)	1		
	26	WDL183425	SLIT WASHER	1		
	27	VKF3207-00B	F.WHEEL ASSY(L)	1		
	28	WDL173525-6	SLIT WASHER	1		
	29	VKZ3174-00A	DC SOLENOID	1		
	30	LV42234-001A	CAPSTAN BELT	1		
	31	MSI-5U2LWA	D.C.MOTOR ASS'Y	1		
	32	VKR4761-001	MOTOR PULLEY	1		
	33	QYSPSP2604Z	SCREW	2		
	34	QYSBSF2608Z	T.SCREW	3	FOR P.W.B.	

CD loading base assembly and parts list

Block No. M 3 M M

Grease
 ★ = G-474C
 ▲ = EBS0006-009B



■ Parts list (CD loading base)

Block No. M3MM

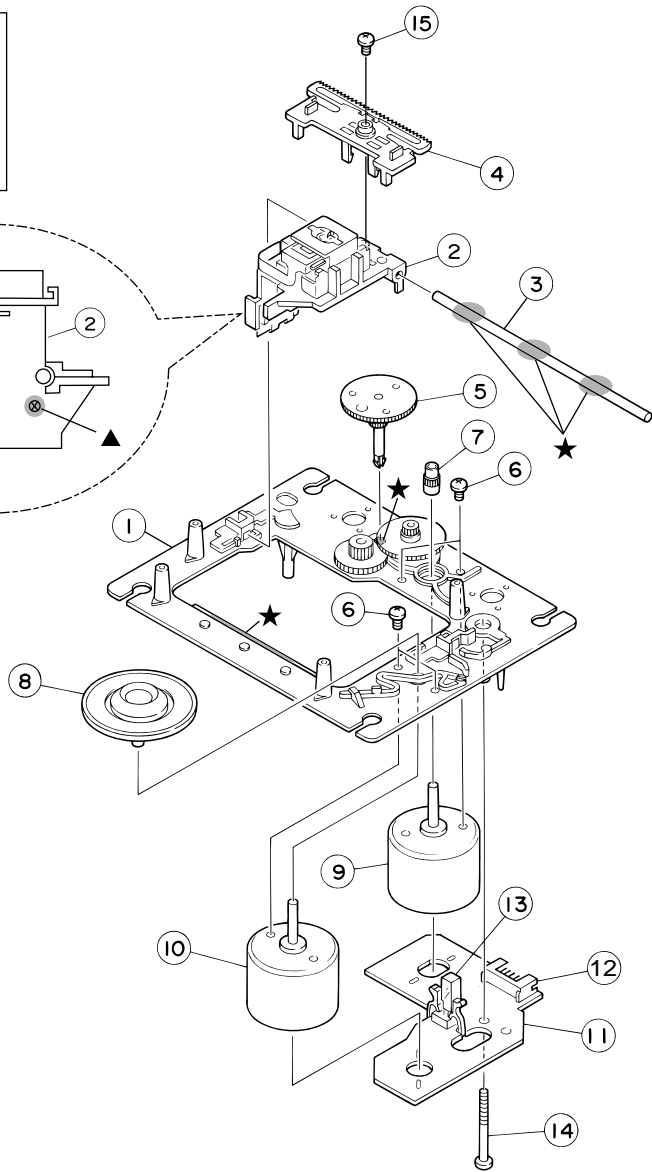
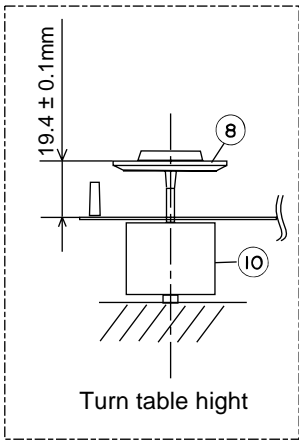
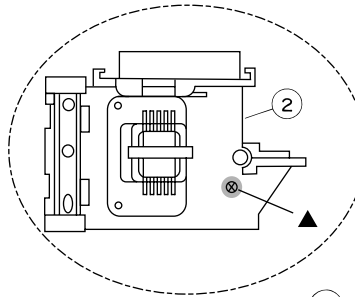
⚠	Item	Parts number	Parts name	Q'ty	Description	Area
	1	VYH1238-001	LOADING BASE	1	ABS	
	2	MMN-6F1LB8K	MOTOR	1		
	3	QGF1205F1-07	CONNECTOR	1	CN505	
	4	QSW0472-001	SWITCH	1	S851	
	5	QYSPSPT2640Z	MINI SCREW	2		
	6	E75984-221	MOTOR PULLEY	1		
	7	E75950-002	BELT	1		
	8	E75985-221	GEAR(1)	1		
	9	E75986-221	GEAR(2)	1	PBT	
	10	E75987-221	GEAR(3)	1		
	11	E307162-331SS	LEVER	1		
	12	E307252-331SS	CAM PLATE	1		
	13	E65923-003	TAPPING SCREW	3		
	14	VYH7787-001	SPRING	1		
	15	QYSBSF3008Z	SCREW	1		
	16	E307179-332	E.BASE ASS'Y	1		
	17	E406871-001	SPRING	2		
	18	E406294-002	INSULATOR	4		
	19	E60912-005SS	SPEED NUT	1		

CD mechanism assembly and parts list

Block No. M 4 M M

Grease & Bond

★ = EBS0006-013B
▲ = 1401B



EXL-M7MB

■ **Parts list (CD mechanism)**

Block No. **M4MM**

⚠	Item	Parts number	Parts name	Q'ty	Description	Area
	1	E102731-221SM	CD MECHA BASE A	1		
	2	OPTIMA-7B	CD PICK	1		
	3	E406777-002SM	CD SHAFT	1		
	4	LV31002-001A	CD RACK	1		
	5	E307745-441SM	CD GEAR 3	1		
	6	QYSDSP2003N	SCREW	4		
	7	E406750-442SM	PINION	1		
	8	EPB-001PK	T.TABLE ASSY	1		
	9	E406784-001	FEED MOTOR	1		
	10	QAR0130-001	SP MOTOR	1		
	11	EMW10190-441	CIR BOARD	1		
	12	QGA2001F1-06	6P PLUG ASSY	1	FOR P011	
	13	QSW0506-001	LEAF SW	1	FOR S001	
	14	E75832-221SS	SPECIAL SCREW	1	FOR M.CB	
	15	QYSDSF2606Z	SCREW	1		

■ Electrical parts list (Main board)

Block No. 01

△	Item	Parts number	Parts name	Remarks	Area
	CN900	QGF1205C1-10	CONNECTOR	SLC	
	CN901	QGF1205C1-09	CONNECTOR	SLC	
	CN902	QGF1205F1-09	CONNECTOR	TUNER	
	CN903	QGF1205F1-13	CONNECTOR	CD	
	CN904	QGF1205F1-16	CONNECTOR	CD	
	CN905	QGA2501F1-03	CONNECTOR	OPTICAL	
	CN908	QGA2501C1-02	2P CONNECTOR	SUBWOOFER	
	CN913	QGD2504C1-04Z	SOCKET		
	CN931	QGF1205F1-17	CONNECTOR	TO FRONT BRD	
	CN933	QGF1205C1-04	CONNECTOR	TO CASSETTE DOO	
	C2000	QCBB1HK-221Y	C CAPACITOR	220PF 10% 50V	
	C2003	QCBB1HK-221Y	C CAPACITOR	220PF 10% 50V	
	C2005	QEKC1HM-475Z	E CAPACITOR	4.7MF 20% 50V	
	C2006	QEKC1HM-475Z	E CAPACITOR	4.7MF 20% 50V	
	C2007	QETN1HM-106Z	E CAPACITOR	10MF 20% 50V	
	C2008	QEKC1HM-475Z	E CAPACITOR	4.7MF 20% 50V	
	C2009	QEKC1HM-475Z	E CAPACITOR	4.7MF 20% 50V	
	C2010	QEKC1HM-475Z	E CAPACITOR	4.7MF 20% 50V	
	C2011	QFLM1HJ-272Z	M CAPACITOR	2700PF 5% 50V	
	C2012	QFVJ1HJ-104Z	MF CAPACITOR	.10MF 5% 50V	
	C2013	QFVJ1HJ-104Z	MF CAPACITOR	.10MF 5% 50V	
	C2014	QFVJ1HJ-184Z	MF CAPACITOR	.18MF 5% 50V	
	C2015	QFVJ1HJ-184Z	MF CAPACITOR	.18MF 5% 50V	
	C2016	QFVJ1HJ-154Z	MF CAPACITOR	.15MF 5% 50V	
	C2017	QTE1C06-226Z	E CAPACITOR		
	C2018	QFVJ1HJ-154Z	MF CAPACITOR	.15MF 5% 50V	
	C2019	QFVJ1HJ-274Z	MF CAPACITOR	.27MF 5% 50V	
	C2026	QFLM1HJ-123Z	M CAPACITOR	.012MF 5% 50V	
	C2034	QETN1HM-225Z	E CAPACITOR	2.2MF 20% 50V	
	C2035	QCBB1HK-471Y	C CAPACITOR	470PF 10% 50V	
	C2036	QCBB1HK-151Y	C CAPACITOR	150PF 10% 50V	
	C2037	QETN1AM-107Z	E CAPACITOR	100MF 20% 10V	
	C2100	QCBB1HK-221Y	C CAPACITOR	220PF 10% 50V	
	C2103	QCBB1HK-221Y	C CAPACITOR	220PF 10% 50V	
	C2105	QEKC1HM-475Z	E CAPACITOR	4.7MF 20% 50V	
	C2106	QEKC1HM-475Z	E CAPACITOR	4.7MF 20% 50V	
	C2107	QETN1HM-106Z	E CAPACITOR	10MF 20% 50V	
	C2108	QEKC1HM-475Z	E CAPACITOR	4.7MF 20% 50V	
	C2109	QEKC1HM-475Z	E CAPACITOR	4.7MF 20% 50V	
	C2110	QEKC1HM-475Z	E CAPACITOR	4.7MF 20% 50V	
	C2111	QFLM1HJ-272Z	M CAPACITOR	2700PF 5% 50V	
	C2112	QFVJ1HJ-104Z	MF CAPACITOR	.10MF 5% 50V	
	C2113	QFVJ1HJ-104Z	MF CAPACITOR	.10MF 5% 50V	
	C2114	QFVJ1HJ-184Z	MF CAPACITOR	.18MF 5% 50V	
	C2115	QFVJ1HJ-184Z	MF CAPACITOR	.18MF 5% 50V	
	C2116	QFVJ1HJ-154Z	MF CAPACITOR	.15MF 5% 50V	
	C2117	QTE1C06-226Z	E CAPACITOR		
	C2118	QFVJ1HJ-154Z	MF CAPACITOR	.15MF 5% 50V	
	C2119	QFVJ1HJ-274Z	MF CAPACITOR	.27MF 5% 50V	
	C2126	QFLM1HJ-123Z	M CAPACITOR	.012MF 5% 50V	
	C2134	QETN1HM-225Z	E CAPACITOR	2.2MF 20% 50V	
	C2135	QCBB1HK-471Y	C CAPACITOR	470PF 10% 50V	
	C2136	QCBB1HK-151Y	C CAPACITOR	150PF 10% 50V	
	C2137	QETN1AM-107Z	E CAPACITOR	100MF 20% 10V	
	C2200	QETM1EM-228	E CAPACITOR	2200MF 20% 25V	
	C2209	QETC1HM-684Z	E CAPACITOR	.68MF 20% 50V	
	C2211	QDYB1CM-103Y	C CAPACITOR		
	C2212	EETC1HM-105ZJC	E CAPACITOR		
	C2213	EETC1CM-106ZJC	E CAPACITOR		
	C2215	EEKC1CM-226ZJC	E CAPACITOR		
	C2221	EETC1AM-107ZJC	E CAPACITOR		
	C2222	EEKC1CM-107ZJC	E CAPACITOR		
	C2227	EETC1CM-107ZJC	E CAPACITOR		

△	Item	Parts number	Parts name	Remarks	Area
	C2228	EETC1HM-475ZJC	E CAPACITOR		
	C2236	EETC1CM-476ZJC	E CAPACITOR		
	C2239	QETN1HM-105Z	E CAPACITOR	1.0MF 20% 50V	
	C2508	QCBB1HK-331Y	C CAPACITOR	330PF 10% 50V	
	C2509	QCBB1HK-331Y	C CAPACITOR	330PF 10% 50V	
	C3201	EETC1CM-107ZJC	E CAPACITOR		
	C3202	QFLM1HJ-104Z	M CAPACITOR	.10MF 5% 50V	
	C3203	EETC1CM-107ZJC	E CAPACITOR		
	C3204	QFLM1HJ-104Z	M CAPACITOR	.10MF 5% 50V	
	C3205	EETC1CM-107ZJC	E CAPACITOR		
	C3206	QFLM1HJ-104Z	M CAPACITOR	.10MF 5% 50V	
	C3222	QFVJ1HJ-334Z	M CAPACITOR	.33MF 5% 50V	
	C3500	EETC1CM-106ZJC	E CAPACITOR		
	C3502	EETC1EM-476ZJC	E CAPACITOR		
	C7001	QCSB1HJ-200Y	C CAPACITOR	20PF 5% 50V	
	C7002	QCSB1HJ-220Y	C CAPACITOR	22PF 5% 50V	
	C7003	QDGB1HK-102Y	C CAPACITOR		
	C7004	EEKC1AM-107ZJC	E CAPACITOR		
	C7005	QDYB1CM-103Y	C CAPACITOR		
	C7006	QCSB1HJ-180Y	C CAPACITOR	18PF 5% 50V	
	C7007	QCSB1HJ-180Y	C CAPACITOR	18PF 5% 50V	
	C7008	EETB0JM-228JC	E CAPACITOR		
	C7009	EETC1HM-225ZJC	E CAPACITOR		
	C7010	EETC1HM-475ZJC	E CAPACITOR		
	C7011	EETC1CM-107ZJC	E CAPACITOR		
	C7012	QCFB1HZ-104Y	C CAPACITOR	.10MF +80%-20%	
	C7041	QDYB1CM-103Y	C CAPACITOR		
	C7061	QCBB1HK-151Y	C CAPACITOR	150PF 10% 50V	
	C7063	QCBB1HK-151Y	C CAPACITOR	150PF 10% 50V	
	C7108	QCBB1HK-101Y	C CAPACITOR	100PF 10% 50V	
	C7111	QCBB1HK-101Y	C CAPACITOR	100PF 10% 50V	
	C7113	QCBB1HK-151Y	C CAPACITOR	150PF 10% 50V	
	C7115	QCBB1HK-101Y	C CAPACITOR	100PF 10% 50V	
	C7123	QDGB1HK-102Y	C CAPACITOR		
	C7128	QDGB1HK-102Y	C CAPACITOR		
	C7135	QCBB1HK-101Y	C CAPACITOR	100PF 10% 50V	
	C7136	QCBB1HK-101Y	C CAPACITOR	100PF 10% 50V	
	C7144	QDYB1CM-103Y	C CAPACITOR		
	C7149	QCBB1HK-101Y	C CAPACITOR	100PF 10% 50V	
	C7152	QDGB1HK-102Y	C CAPACITOR		
	D2200	1SS133-T2	SI DIODE		
	D2201	1SS133-T2	SI DIODE		
	D2202	MTZJ6.8B-T2	Z DIODE		
	D2203	1SS133-T2	SI DIODE		
	D2204	1N4003S-T5	SI DIODE		
	D2205	1SS133-T2	SI DIODE		
	D2206	1SS133-T2	SI DIODE		
	D2218	MTZJ4.3B-T2	Z DIODE		
	D3218	1SS133-T2	SI DIODE		
	D3219	MTZJ8.2C-T2	Z DIODE		
	D3220	MTZJ11B-T2	Z DIODE		
	D3221	MTZJ11B-T2	Z DIODE		
	D7001	1SS133-T2	SI DIODE	US5V	
	D7002	1SS133-T2	SI DIODE		
	D7003	1SS133-T2	SI DIODE	RESET	
	D7004	1SS133-T2	SI DIODE	BACK UP	
	D7005	1SS133-T2	SI DIODE	US5V	
	D7006	1SS133-T2	SI DIODE		
	D7007	MTZJ5.1C-T2	Z DIODE	BACK UP CONT.	
	D7008	MTZJ8.2B-T2	DIODE		
	D7061	1SS133-T2	SI DIODE		
	FW901	QUM158-11DGZ4	WIRE		
	FW902	QUM154-11DGZ4	WIRE		

■ Electrical parts list (Main board)

Block No. 01

△	Item	Parts number	Parts name	Remarks	Area
	FW904	QUM152-15Z4Z4	FLAT WIRE		
	IC901	LC75345M-X	IC		
	IC904	BA15218F-XE	IC		
△	IC910	L4909	REGULATOR IC		
	IC931	UPD780055GC-029	IC	SYSTEM MICOM	
	IC932	KIA78S06P-T	IC	US6V REG	
	J 900	QNN0018-002	PIN JACK		
	J 902	GP1FA550TZ	OPT TRANSMITTER		
	K2200	QQR0621-001Z	FERRITE BEADS		
	K7001	QQR0621-001Z	FERRITE BEADS		
	K7002	QQR0621-001Z	FERRITE BEADS		
	K7003	QQR0621-001Z	FERRITE BEADS		
	L3500	QQL231K-4R7Y	INDUCTOR		
	L7001	QQL231K-100Y	INDUCTOR	US5V	
	L7002	QQL231K-470Y	INDUCTOR	AVDD & VDD	
	L7003	QQL231K-4R7Y	INDUCTOR	AVREF	
	PP900	QZW0038-001	WIRE CLAMP		
	Q2203	2SC2412K/R/-X	TRANSISTOR		
	Q2204	2SC2412K/R/-X	TRANSISTOR		
	Q2205	2SC2412K/R/-X	TRANSISTOR		
	Q2206	2SC2412K/R/-X	TRANSISTOR		
	Q2207	2SC2412K/R/-X	TRANSISTOR		
	Q2208	DTA143EKA-X	TRANSISTOR		
	Q2209	2SC2412K/R/-X	TRANSISTOR		
	Q2210	2SC2412K/R/-X	TRANSISTOR		
	Q2211	2SC2001/LK/-T	TRANSISTOR		
	Q2215	2SC2412K/R/-X	TRANSISTOR		
	Q2216	2SC2412K/R/-X	TRANSISTOR		
	Q2217	DTA114EKA-X	D TRANSISTOR		
	Q2219	2SC2412K/R/-X	TRANSISTOR		
	Q2220	2SC2412K/R/-X	TRANSISTOR		
	Q2221	DTC114EKA-X	TRANSISTOR		
	Q3500	2SA1037AK/R/-X	TRANSISTOR		
	Q3501	DTC144EKA-X	TRANSISTOR		
	Q7001	2SA1037AK/RS/-X	TRANSISTOR	SW5V	
	Q7002	DTC114TKA-X	TRANSISTOR	RESET SW	
	Q7003	2SC2412K/R/-X	TRANSISTOR	BACKUP CONT	
	Q7031	2SC2412K/R/-X	TRANSISTOR	POUT SW	
	Q7041	2SC2412K/R/-X	TRANSISTOR	PHOTO BUFFER	
	Q7061	DTC114TKA-X	TRANSISTOR		
	Q7062	DTC114TKA-X	TRANSISTOR		
	Q7091	DTC114EKA-X	TRANSISTOR		
	Q7092	2SA1037AK/RS/-X	TRANSISTOR		
	Q7401	DTC114EKA-X	TRANSISTOR		
	Q7402	DTC114EKA-X	TRANSISTOR		
	Q7403	DTC114EKA-X	TRANSISTOR		
	R2000	QRE141J-303Y	C RESISTOR	30K 5% 1/4W	
	R2001	QRE141J-303Y	C RESISTOR	30K 5% 1/4W	
	R2003	QRE141J-221Y	C RESISTOR	220 5% 1/4W	
	R2004	QRE141J-103Y	C RESISTOR	10K 5% 1/4W	
	R2005	QRE141J-562Y	C RESISTOR	5.6K 5% 1/4W	
	R2006	QRE141J-222Y	C RESISTOR	2.2K 5% 1/4W	
	R2007	QRE141J-622Y	C RESISTOR	6.2K 5% 1/4W	
	R2008	QRE141J-912Y	C RESISTOR	9.1K 5% 1/4W	
	R2009	QRE141J-272Y	C RESISTOR	2.7K 5% 1/4W	
	R2010	QRE141J-752Y	C RESISTOR	7.5K 5% 1/4W	
	R2011	QRE141J-752Y	C RESISTOR	7.5K 5% 1/4W	
	R2012	QRE141J-152Y	C RESISTOR	1.5K 5% 1/4W	
	R2013	QRE141J-222Y	C RESISTOR	2.2K 5% 1/4W	
	R2014	QRE141J-303Y	C RESISTOR	30K 5% 1/4W	
	R2015	QRE141J-473Y	C RESISTOR	47K 5% 1/4W	
	R2016	QRE141J-622Y	C RESISTOR	6.2K 5% 1/4W	
	R2017	QRE141J-182Y	C RESISTOR	1.8K 5% 1/4W	

△	Item	Parts number	Parts name	Remarks	Area
	R2032	QRE141J-222Y	C RESISTOR	2.2K 5% 1/4W	
	R2033	QRE141J-332Y	C RESISTOR	3.3K 5% 1/4W	
	R2034	QRE141J-472Y	C RESISTOR	4.7K 5% 1/4W	
	R2035	QRE141J-562Y	C RESISTOR	5.6K 5% 1/4W	
	R2036	QRE141J-332Y	C RESISTOR	3.3K 5% 1/4W	
	R2037	QRE141J-563Y	C RESISTOR	56K 5% 1/4W	
	R2038	QRE141J-220Y	C RESISTOR	22 5% 1/4W	
	R2039	QRE141J-222Y	C RESISTOR	2.2K 5% 1/4W	
	R2040	QRE141J-471Y	C RESISTOR	470 5% 1/4W	
	R2041	QRE141J-182Y	C RESISTOR	1.8K 5% 1/4W	
	R2047	QRE141J-154Y	C RESISTOR	150K 5% 1/4W	
	R2049	QRE141J-103Y	C RESISTOR	10K 5% 1/4W	
	R2100	QRE141J-303Y	C RESISTOR	30K 5% 1/4W	
	R2101	QRE141J-303Y	C RESISTOR	30K 5% 1/4W	
	R2103	QRE141J-221Y	C RESISTOR	220 5% 1/4W	
	R2104	QRE141J-103Y	C RESISTOR	10K 5% 1/4W	
	R2105	QRE141J-562Y	C RESISTOR	5.6K 5% 1/4W	
	R2106	QRE141J-222Y	C RESISTOR	2.2K 5% 1/4W	
	R2107	QRE141J-622Y	C RESISTOR	6.2K 5% 1/4W	
	R2108	QRE141J-912Y	C RESISTOR	9.1K 5% 1/4W	
	R2109	QRE141J-272Y	C RESISTOR	2.7K 5% 1/4W	
	R2110	QRE141J-752Y	C RESISTOR	7.5K 5% 1/4W	
	R2111	QRE141J-752Y	C RESISTOR	7.5K 5% 1/4W	
	R2112	QRE141J-152Y	C RESISTOR	1.5K 5% 1/4W	
	R2113	QRE141J-222Y	C RESISTOR	2.2K 5% 1/4W	
	R2114	QRE141J-303Y	C RESISTOR	30K 5% 1/4W	
	R2115	QRE141J-473Y	C RESISTOR	47K 5% 1/4W	
	R2116	QRE141J-622Y	C RESISTOR	6.2K 5% 1/4W	
	R2117	QRE141J-182Y	C RESISTOR	1.8K 5% 1/4W	
	R2132	QRE141J-222Y	C RESISTOR	2.2K 5% 1/4W	
	R2133	QRE141J-332Y	C RESISTOR	3.3K 5% 1/4W	
	R2134	QRE141J-472Y	C RESISTOR	4.7K 5% 1/4W	
	R2135	QRE141J-562Y	C RESISTOR	5.6K 5% 1/4W	
	R2136	QRE141J-332Y	C RESISTOR	3.3K 5% 1/4W	
	R2137	QRE141J-563Y	C RESISTOR	56K 5% 1/4W	
	R2138	QRE141J-220Y	C RESISTOR	22 5% 1/4W	
	R2139	QRE141J-222Y	C RESISTOR	2.2K 5% 1/4W	
	R2140	QRE141J-471Y	C RESISTOR	470 5% 1/4W	
	R2141	QRE141J-182Y	C RESISTOR	1.8K 5% 1/4W	
	R2147	QRE141J-154Y	C RESISTOR	150K 5% 1/4W	
	R2149	QRE141J-103Y	C RESISTOR	10K 5% 1/4W	
	R2200	QRE141J-273Y	C RESISTOR	27K 5% 1/4W	
	R2207	QRE141J-513Y	C RESISTOR	51K 5% 1/4W	
	R2208	QRE141J-124Y	C RESISTOR	120K 5% 1/4W	
	R2216	QRE141J-103Y	C RESISTOR	10K 5% 1/4W	
	R2217	QRE141J-101Y	C RESISTOR	100 5% 1/4W	
	R2218	QRE141J-471Y	C RESISTOR	470 5% 1/4W	
	R2221	QRE141J-101Y	C RESISTOR	100 5% 1/4W	
	R2222	QRE141J-222Y	C RESISTOR	2.2K 5% 1/4W	
	R2224	QRE141J-222Y	C RESISTOR	2.2K 5% 1/4W	
	R2228	QRE141J-334Y	C RESISTOR	330K 5% 1/4W	
	R2230	QRE141J-102Y	C RESISTOR	1.0K 5% 1/4W	
	R2233	QRE141J-473Y	C RESISTOR	47K 5% 1/4W	
	R3200	QRE141J-102Y	C RESISTOR	1.0K 5% 1/4W	
	R3201	QRE141J-822Y	C RESISTOR	8.2K 5% 1/4W	
	R3202	QRE141J-122Y	C RESISTOR	1.2K 5% 1/4W	
	R3203	QRE141J-472Y	C RESISTOR	4.7K 5% 1/4W	
	R3204	QRE141J-122Y	C RESISTOR	1.2K 5% 1/4W	
	R3205	QRE141J-622Y	C RESISTOR	6.2K 5% 1/4W	
	R3206	QRE141J-122Y	C RESISTOR	1.2K 5% 1/4W	
	R3207	QRE141J-820Y	C RESISTOR	82 5% 1/4W	
	R3209	QRE141J-820Y	C RESISTOR	82 5% 1/4W	
	R3500	QRE141J-103Y	C RESISTOR	10K 5% 1/4W	

■ Electrical parts list (Main board)

Block No. 01

△	Item	Parts number	Parts name	Remarks	Area
	R3503	QRE141J-6R8Y	C RESISTOR	6.8 5% 1/4W	
	R3504	QRE141J-104Y	C RESISTOR	100K 5% 1/4W	
	R3505	QRE141J-102Y	C RESISTOR	1.0K 5% 1/4W	
	R7001	QRE141J-102Y	C RESISTOR	1.0K 5% 1/4W	
	R7002	QRE141J-103Y	C RESISTOR	10K 5% 1/4W	
	R7003	QRE141J-331Y	C RESISTOR	330 5% 1/4W	
	R7004	QRE141J-103Y	C RESISTOR	10K 5% 1/4W	
	R7005	QRE141J-103Y	C RESISTOR	10K 5% 1/4W	
	R7006	QRE141J-104Y	C RESISTOR	100K 5% 1/4W	
	R7007	QRE141J-473Y	C RESISTOR	47K 5% 1/4W	
	R7008	QRE141J-333Y	C RESISTOR	33K 5% 1/4W	
	R7041	QRE141J-823Y	C RESISTOR	82K 5% 1/4W	
	R7042	QRE141J-394Y	C RESISTOR	390K 5% 1/4W	
	R7043	QRE141J-104Y	C RESISTOR	100K 5% 1/4W	
	R7062	QRE141J-102Y	C RESISTOR	1.0K 5% 1/4W	
	R7064	QRE141J-103Y	C RESISTOR	10K 5% 1/4W	
	R7065	QRE141J-563Y	C RESISTOR	56K 5% 1/4W	
	R7075	QRE141J-222Y	C RESISTOR	2.2K 5% 1/4W	
	R7076	QRE141J-473Y	C RESISTOR	47K 5% 1/4W	
	R7077	QRE141J-913Y	C RESISTOR	91K 5% 1/4W	
	R7078	QRE141J-102Y	C RESISTOR	1.0K 5% 1/4W	
	R7079	QRE141J-223Y	C RESISTOR	22K 5% 1/4W	
	R7091	QRE141J-103Y	C RESISTOR	10K 5% 1/4W	
	R7092	QRE141J-473Y	C RESISTOR	47K 5% 1/4W	
	R7093	QRE141J-102Y	C RESISTOR	1.0K 5% 1/4W	
	R7101	QRE141J-222Y	C RESISTOR	2.2K 5% 1/4W	
	R7102	QRE141J-222Y	C RESISTOR	2.2K 5% 1/4W	
	R7103	QRE141J-222Y	C RESISTOR	2.2K 5% 1/4W	
	R7106	QRE141J-102Y	C RESISTOR	1.0K 5% 1/4W	
	R7108	QRE141J-102Y	C RESISTOR	1.0K 5% 1/4W	
	R7109	QRE141J-102Y	C RESISTOR	1.0K 5% 1/4W	
	R7110	QRE141J-102Y	C RESISTOR	1.0K 5% 1/4W	
	R7111	QRE141J-102Y	C RESISTOR	1.0K 5% 1/4W	
	R7112	QRE141J-222Y	C RESISTOR	2.2K 5% 1/4W	
	R7113	QRE141J-222Y	C RESISTOR	2.2K 5% 1/4W	
	R7114	QRE141J-102Y	C RESISTOR	1.0K 5% 1/4W	
	R7115	QRE141J-102Y	C RESISTOR	1.0K 5% 1/4W	
	R7116	QRE141J-222Y	C RESISTOR	2.2K 5% 1/4W	
	R7117	QRE141J-222Y	C RESISTOR	2.2K 5% 1/4W	
	R7118	QRE141J-222Y	C RESISTOR	2.2K 5% 1/4W	
	R7119	QRE141J-102Y	C RESISTOR	1.0K 5% 1/4W	
	R7120	QRE141J-222Y	C RESISTOR	2.2K 5% 1/4W	
	R7121	QRE141J-222Y	C RESISTOR	2.2K 5% 1/4W	
	R7122	QRE141J-222Y	C RESISTOR	2.2K 5% 1/4W	
	R7123	QRE141J-222Y	C RESISTOR	2.2K 5% 1/4W	
	R7124	QRE141J-102Y	C RESISTOR	1.0K 5% 1/4W	
	R7125	QRE141J-222Y	C RESISTOR	2.2K 5% 1/4W	
	R7126	QRE141J-222Y	C RESISTOR	2.2K 5% 1/4W	
	R7127	QRE141J-123Y	C RESISTOR	12K 5% 1/4W	
	R7128	QRE141J-222Y	C RESISTOR	2.2K 5% 1/4W	
	R7129	QRE141J-222Y	C RESISTOR	2.2K 5% 1/4W	
	R7130	QRE141J-222Y	C RESISTOR	2.2K 5% 1/4W	
	R7131	QRE141J-222Y	C RESISTOR	2.2K 5% 1/4W	
	R7132	QRE141J-222Y	C RESISTOR	2.2K 5% 1/4W	
	R7133	QRE141J-222Y	C RESISTOR	2.2K 5% 1/4W	
	R7134	QRE141J-222Y	C RESISTOR	2.2K 5% 1/4W	
	R7135	QRE141J-222Y	C RESISTOR	2.2K 5% 1/4W	
	R7136	QRE141J-222Y	C RESISTOR	2.2K 5% 1/4W	
	R7137	QRE141J-222Y	C RESISTOR	2.2K 5% 1/4W	
	R7138	QRE141J-222Y	C RESISTOR	2.2K 5% 1/4W	
	R7139	QRE141J-222Y	C RESISTOR	2.2K 5% 1/4W	
	R7140	QRE141J-222Y	C RESISTOR	2.2K 5% 1/4W	
	R7141	QRE141J-222Y	C RESISTOR	2.2K 5% 1/4W	

△	Item	Parts number	Parts name	Remarks	Area
	R7142	QRE141J-102Y	C RESISTOR	1.0K 5% 1/4W	
	R7143	QRE141J-222Y	C RESISTOR	2.2K 5% 1/4W	
	R7144	QRE141J-222Y	C RESISTOR	2.2K 5% 1/4W	
	R7145	QRE141J-102Y	C RESISTOR	1.0K 5% 1/4W	
	R7146	QRE141J-222Y	C RESISTOR	2.2K 5% 1/4W	
	R7148	QRE141J-222Y	C RESISTOR	2.2K 5% 1/4W	
	R7149	QRE141J-103Y	C RESISTOR	10K 5% 1/4W	
	R7150	QRE141J-222Y	C RESISTOR	2.2K 5% 1/4W	
	R7151	QRE141J-222Y	C RESISTOR	2.2K 5% 1/4W	
	R7152	QRE141J-222Y	C RESISTOR	2.2K 5% 1/4W	
	R7153	QRE141J-222Y	C RESISTOR	2.2K 5% 1/4W	
	R7154	QRE141J-222Y	C RESISTOR	2.2K 5% 1/4W	
	R7155	QRE141J-222Y	C RESISTOR	2.2K 5% 1/4W	
	R7157	QRE141J-103Y	C RESISTOR	10K 5% 1/4W	
	R7158	QRE141J-222Y	C RESISTOR	2.2K 5% 1/4W	
	R7159	QRE141J-222Y	C RESISTOR	2.2K 5% 1/4W	
	R7160	QRE141J-222Y	C RESISTOR	2.2K 5% 1/4W	
	R7161	QRE141J-103Y	C RESISTOR	10K 5% 1/4W	
	R7201	QRE141J-104Y	C RESISTOR	100K 5% 1/4W	
	R7202	QRE141J-103Y	C RESISTOR	10K 5% 1/4W	
	R7203	QRE141J-823Y	C RESISTOR	82K 5% 1/4W	
	R7206	QRE141J-473Y	C RESISTOR	47K 5% 1/4W	
	R7214	QRE141J-473Y	C RESISTOR	47K 5% 1/4W	
	R7215	QRE141J-473Y	C RESISTOR	47K 5% 1/4W	
	R7217	QRE141J-103Y	C RESISTOR	10K 5% 1/4W	
	R7218	QRE141J-103Y	C RESISTOR	10K 5% 1/4W	
	R7221	QRE141J-103Y	C RESISTOR	10K 5% 1/4W	
	R7232	QRE141J-823Y	C RESISTOR	82K 5% 1/4W	
	R7236	QRE141J-103Y	C RESISTOR	10K 5% 1/4W	
	R7238	QRE141J-103Y	C RESISTOR	10K 5% 1/4W	
	R7239	QRE141J-103Y	C RESISTOR	10K 5% 1/4W	
	R7240	QRE141J-103Y	C RESISTOR	10K 5% 1/4W	
	R7252	QRE141J-103Y	C RESISTOR	10K 5% 1/4W	
	R7253	QRE141J-104Y	C RESISTOR	100K 5% 1/4W	
	R7254	QRE141J-103Y	C RESISTOR	10K 5% 1/4W	
	R7255	QRE141J-103Y	C RESISTOR	10K 5% 1/4W	
	X7001	QAX0410-001Z	CERA LOCK		
	X7002	QAX0401-001	CRYSTAL		

■ Electrical parts list (Front board)

Block No. 02

△	Item	Parts number	Parts name	Remarks	Area
	CN932	QGF1205F1-17	CONNECTOR		
	CN934	QGF1205F1-04	CONNECTOR		
	CN941	QGB2510K2-04	CONNECTOR		
	CN943	QGB2510J1-04	CONNECTOR		
	CN944	QGD2504C1-04Z	SOCKET		
	CN945	QGD2504C1-04Z	SOCKET		
	CN946	QGD2504C1-04Z	SOCKET		
	CN950	QGD2504C1-03Z	SOCKET		
	CN951	QGD2504C1-03Z	SOCKET		
	C1000	QFLM1HJ-104Z	M CAPACITOR	.10MF 5% 50V	
	C1001	QFLM1HJ-104Z	M CAPACITOR	.10MF 5% 50V	
	C1002	QFLM1HJ-104Z	M CAPACITOR	.10MF 5% 50V	
	C1003	QFLM1HJ-104Z	M CAPACITOR	.10MF 5% 50V	
	C1004	QFLM1HJ-104Z	M CAPACITOR	.10MF 5% 50V	
	C1005	QFLM1HJ-104Z	M CAPACITOR	.10MF 5% 50V	
	C1006	QFLM1HJ-104Z	M CAPACITOR	.10MF 5% 50V	
	C1007	QFLM1HJ-104Z	M CAPACITOR	.10MF 5% 50V	
	C1012	QETC1EM-475Z	E CAPACITOR	4.7MF 20% 25V	
	C4000	QCBB1HK-101Y	C CAPACITOR	100PF 10% 50V	
	C4001	QCBB1HK-101Y	C CAPACITOR	100PF 10% 50V	
	C4002	QTE1V06-106Z	E CAPACITOR		
	C4004	QETN1HM-226Z	E CAPACITOR	22MF 20% 50V	
	C4005	QETN1HM-226Z	E CAPACITOR	22MF 20% 50V	
	C4006	QCBB1HK-101Y	C CAPACITOR	100PF 10% 50V	
	C4007	QCBB1HK-101Y	C CAPACITOR	100PF 10% 50V	
	C4008	QETN1HM-476Z	E CAPACITOR	47MF 20% 50V	
	C4009	QETN1HM-476Z	E CAPACITOR	47MF 20% 50V	
	C4010	QCSB1HJ-100Y	C CAPACITOR	10PF 5% 50V	
	C4011	QCSB1HJ-100Y	C CAPACITOR	10PF 5% 50V	
	C4012	QFLM1HJ-223Z	M CAPACITOR	.022MF 5% 50V	
	C4013	QTE1V06-106Z	E CAPACITOR		
	C4018	QETN1HM-106Z	E CAPACITOR	10MF 20% 50V	
	C4019	QETN1HM-106Z	E CAPACITOR	10MF 20% 50V	
	C4020	QETM1HM-228	E CAPACITOR	2200MF 20% 50V	
	C4021	QETM1HM-228	E CAPACITOR	2200MF 20% 50V	
	C4028	EETC1EM-226ZJC	E CAPACITOR		
	C4029	QETN1CM-476Z	E CAPACITOR	47MF 20% 16V	
	C4030	QETN1HM-226Z	E CAPACITOR	22MF 20% 50V	
	C4031	QCF31HZ-223Z	C CAPACITOR	.022MF +80:-20%	
	C4032	QETN1HM-105Z	E CAPACITOR	1.0MF 20% 50V	
	C4033	QFVJ1HJ-184Z	MF CAPACITOR	.18MF 5% 50V	
	C4034	QFLM1HJ-104Z	M CAPACITOR	.10MF 5% 50V	
	C4035	QFLM1HJ-104Z	M CAPACITOR	.10MF 5% 50V	
	C4036	EETC1HM-106ZJC	E CAPACITOR		
	C4037	QTE1V06-106Z	E CAPACITOR		
	C4038	QTE1V06-106Z	E CAPACITOR		
	C5010	QDYB1CM-103Y	C CAPACITOR		
	C5011	QDYB1CM-103Y	C CAPACITOR		
	C7301	QEK1CM-476Z	E CAPACITOR	47MF 20% 16V	
	C7302	QDGB1HK-102Y	C CAPACITOR		
	C7303	QDYB1CM-103Y	C CAPACITOR		
	C7304	QDYB1CM-103Y	C CAPACITOR		
	C7305	QDYB1CM-103Y	C CAPACITOR		
	C7306	QDYB1CM-103Y	C CAPACITOR		
	C7307	QDYB1CM-103Y	C CAPACITOR		
	C7341	QEK1AM-107Z	E CAPACITOR	100MF 20% 10V	
	C7351	QDYB1CM-103Y	C CAPACITOR		
	C7352	QDYB1CM-103Y	C CAPACITOR		
	DI934	QLD0160-001	LCD	LCD DISPLAY	
△	D1000	1N4003S-T5	SI DIODE		
△	D1001	1N4003S-T5	SI DIODE		
△	D1002	1N4003S-T5	SI DIODE		
△	D1003	1N4003S-T5	SI DIODE		

△	Item	Parts number	Parts name	Remarks	Area
△	D1004	1N5401-TM	DIODE		
△	D1005	1N5401-TM	DIODE		
△	D1006	1N5401-TM	DIODE		
△	D1007	1N5401-TM	DIODE		
	D1012	1SS133-T2	SI DIODE		
	D1013	MTZJ5.1B-T2	Z DIODE		
	D4000	1SS133-T2	SI DIODE		
	D4001	1SS133-T2	SI DIODE		
	D4002	1SS133-T2	SI DIODE		
	D4003	1SS133-T2	SI DIODE		
	D4004	1SS133-T2	SI DIODE		
	D4006	1SS133-T2	SI DIODE		
	D4007	1SS133-T2	SI DIODE		
	D4008	MTZJ24C-T2	Z DIODE		
	D4009	MTZJ5.1B-T2	Z DIODE		
	D7321	QLMP-AB49	LED	BACK LIGHT	
	D7322	QLMP-AB49	LED	BACK LIGHT	
	D7323	QLMP-AB49	LED	BACK LIGHT	
△	D7331	SPR-39MVWF	LED	POW INDICATOR	
	D7332	1SS133-T2	SI DIODE		
	D7361	MTZJ10C-T2	Z DIODE		
	D7362	MTZJ10C-T2	Z DIODE		
	D7363	MTZJ10C-T2	Z DIODE		
	D7401	SLR-342MC-T	LED	LED FR PLAY	
	D7402	SLR-342VC-T	LED	LED REC	
	D7403	SLR-342MC-T	LED	LED RV PLAY	
	EP940	E409182-001SM	GRAND TERMINAL		
	FW931	QUM023-05Z4Z4	TM FLAT	FLAT WIRE	
	FW944	QUM156-11DGZ4	FLAT WIRE		
△	F1000	QMF51U1-2R0-J8	FUSE		
△	F1001	QMF51U1-1R25-J8	FUSE		
	IC933	GP1U261X	IR DETECT UNIT	IR RX	
	IC934	NJU6433FG1	IC	LCD DRIVER	
△	IC940	TDA7294	IC		
△	IC941	TDA7294	IC		
	JA940	QNB0118-001	SPK TERMINAL		
	JS731	QSW0917-001	R ENCODER	VOLUME	
△	J1000	QGA7901C1-02	CONNECTOR		
	J5000	QNS0170-001	JACK		
	L4000	QQLZ005-R45	INDUCTOR		
	L4001	QQLZ005-R45	INDUCTOR		
	Q1002	KTC3199/GL-T	TRANSISTOR		
	Q4000	2SC3576-JVC-T	TRANSISTOR		
	Q4001	2SC3576-JVC-T	TRANSISTOR		
	Q4002	KRA102M-T	D TRANSISTOR		
	Q4003	KTC3199/GL-T	TRANSISTOR		
	Q4004	KTA1267/YG-T	TRANSISTOR		
	Q4005	KTC3199/GL-T	TRANSISTOR		
	Q4006	KTC3199/GL-T	TRANSISTOR		
	Q7331	KRC111M-T	TRANSISTOR		
	RY941	QSK0109-001	RELAY		
	R1000	QRZ9037-335	COMP RESISTOR	3.3M 1/0W	
	R1003	QRE141J-103Y	C RESISTOR	10K 5% 1/4W	
	R1004	QRE141J-472Y	C RESISTOR	4.7K 5% 1/4W	
	R1005	QRE141J-472Y	C RESISTOR	4.7K 5% 1/4W	
	R4000	QRE141J-102Y	C RESISTOR	1.0K 5% 1/4W	
	R4001	QRE141J-102Y	C RESISTOR	1.0K 5% 1/4W	
	R4002	QRE141J-472Y	C RESISTOR	4.7K 5% 1/4W	
	R4003	QRE141J-472Y	C RESISTOR	4.7K 5% 1/4W	
	R4004	QRE141J-103Y	C RESISTOR	10K 5% 1/4W	
	R4005	QRE141J-103Y	C RESISTOR	10K 5% 1/4W	
	R4006	QRE141J-104Y	C RESISTOR	100K 5% 1/4W	
	R4007	QRE141J-104Y	C RESISTOR	100K 5% 1/4W	

■ Electrical parts list (Front board)

Block No. 02

△	Item	Parts number	Parts name	Remarks	Area
	R4008	QRJ146J-821X	UNF C RESISTOR	820 5% 1/4W	
	R4009	QRJ146J-821X	UNF C RESISTOR	820 5% 1/4W	
	R4010	QRE141J-563Y	C RESISTOR	56K 5% 1/4W	
	R4011	QRE141J-563Y	C RESISTOR	56K 5% 1/4W	
	R4012	QRE141J-122Y	C RESISTOR	1.2K 5% 1/4W	
	R4013	QRE141J-122Y	C RESISTOR	1.2K 5% 1/4W	
	R4014	QRJ146J-100X	UNF C RESISTOR	10 5% 1/4W	
	R4015	QRJ146J-100X	UNF C RESISTOR	10 5% 1/4W	
	R4016	QRJ146J-100X	UNF C RESISTOR	10 5% 1/4W	
	R4017	QRJ146J-100X	UNF C RESISTOR	10 5% 1/4W	
	R4018	QRT01DJ-R22X	UNF MF RESISTOR	5% 1/1W	
	R4019	QRT01DJ-R22X	UNF MF RESISTOR	5% 1/1W	
	R4020	QRE141J-563Y	C RESISTOR	56K 5% 1/4W	
	R4021	QRE141J-563Y	C RESISTOR	56K 5% 1/4W	
	R4022	QRE141J-103Y	C RESISTOR	10K 5% 1/4W	
	R4023	QRE141J-472Y	C RESISTOR	4.7K 5% 1/4W	
	R4026	QRE141J-103Y	C RESISTOR	10K 5% 1/4W	
	R4027	QRE141J-103Y	C RESISTOR	10K 5% 1/4W	
	R4028	QRE141J-301Y	C RESISTOR	300 5% 1/4W	
	R4029	QRE141J-823Y	C RESISTOR	82K 5% 1/4W	
	R4030	QRE141J-104Y	C RESISTOR	100K 5% 1/4W	
	R4031	QRE141J-103Y	C RESISTOR	10K 5% 1/4W	
	R4032	QRE141J-104Y	C RESISTOR	100K 5% 1/4W	
	R4033	QRE141J-124Y	C RESISTOR	120K 5% 1/4W	
	R4034	QRE141J-122Y	C RESISTOR	1.2K 5% 1/4W	
	R4035	QRE141J-103Y	C RESISTOR	10K 5% 1/4W	
	R4036	QRE141J-104Y	C RESISTOR	100K 5% 1/4W	
△	R4037	QRZ9006-4R7X	F RESISTOR	4.7 1/0W	
	R4038	QRE141J-302Y	C RESISTOR	3.0K 5% 1/4W	
	R4040	QRE141J-330Y	C RESISTOR	33 5% 1/4W	
	R4041	QRL01DJ-471X	OMF RESISTOR	470 5% 1/1W	
	R4042	QRE141J-103Y	C RESISTOR	10K 5% 1/4W	
	R4043	QRE141J-103Y	C RESISTOR	10K 5% 1/4W	
	R4044	QRE141J-152Y	C RESISTOR	1.5K 5% 1/4W	
	R4045	QRE141J-203Y	C RESISTOR	20K 5% 1/4W	
	R7301	QRE141J-102Y	C RESISTOR	1.0K 5% 1/4W	
	R7302	QRE141J-102Y	C RESISTOR	1.0K 5% 1/4W	
	R7303	QRE141J-122Y	C RESISTOR	1.2K 5% 1/4W	
	R7304	QRE141J-152Y	C RESISTOR	1.5K 5% 1/4W	
	R7305	QRE141J-222Y	C RESISTOR	2.2K 5% 1/4W	
	R7306	QRE141J-272Y	C RESISTOR	2.7K 5% 1/4W	
	R7307	QRE141J-392Y	C RESISTOR	3.9K 5% 1/4W	
	R7308	QRE141J-562Y	C RESISTOR	5.6K 5% 1/4W	
	R7309	QRE141J-103Y	C RESISTOR	10K 5% 1/4W	
	R7310	QRE141J-183Y	C RESISTOR	18K 5% 1/4W	
	R7311	QRE141J-102Y	C RESISTOR	1.0K 5% 1/4W	
	R7312	QRE141J-102Y	C RESISTOR	1.0K 5% 1/4W	
	R7313	QRE141J-122Y	C RESISTOR	1.2K 5% 1/4W	
	R7314	QRE141J-123Y	C RESISTOR	12K 5% 1/4W	
	R7315	QRE141J-823Y	C RESISTOR	82K 5% 1/4W	
	R7316	QRE141J-433Y	C RESISTOR	43K 5% 1/4W	
	R7321	QRE141J-301Y	C RESISTOR	300 5% 1/4W	
	R7322	QRE141J-301Y	C RESISTOR	300 5% 1/4W	
	R7323	QRE141J-301Y	C RESISTOR	300 5% 1/4W	
	R7331	QRE141J-161Y	C RESISTOR	160 5% 1/4W	
	R7332	QRE141J-470Y	C RESISTOR	47 5% 1/4W	
	R7341	QRE141J-103Y	C RESISTOR	10K 5% 1/4W	
	R7342	QRE141J-134Y	C RESISTOR	130K 5% 1/4W	
	R7401	QRE141J-201Y	C RESISTOR	200 5% 1/4W	
	R7402	QRE141J-201Y	C RESISTOR	200 5% 1/4W	
	R7403	QRE141J-201Y	C RESISTOR	200 5% 1/4W	
	S7302	QSW0825-001Z	TACT SWITCH	CLOCK	
	S7303	QSW0825-001Z	TACT SWITCH	TIMER	

△	Item	Parts number	Parts name	Remarks	Area
	S7304	QSW0825-001Z	TACT SWITCH	REVERSE	
	S7305	QSW0825-001Z	TACT SWITCH	CD REC	
	S7306	QSW0825-001Z	TACT SWITCH	AUX	
	S7307	QSW0825-001Z	TACT SWITCH	TUNER	
	S7308	QSW0825-001Z	TACT SWITCH	TAPE	
	S7309	QSW0825-001Z	TACT SWITCH	CD	
	S7310	QSW0825-001Z	TACT SWITCH	DOWN	
	S7311	QSW0825-001Z	TACT SWITCH	STOP	
	S7312	QSW0825-001Z	TACT SWITCH	OPEN/CLOSE	
	S7313	QSW0825-001Z	TACT SWITCH	SOUND	
	S7314	QSW0825-001Z	TACT SWITCH	AHB-PRO	
	S7315	QSW0825-001Z	TACT SWITCH	POWER	
	S7316	QSW0825-001Z	TACT SWITCH	UP	
	W5000	QUM154-14DGZ4	WIRE		
	Z1000	QNG0020-001Z	FUSE CLIP		
	Z1001	QNG0020-001Z	FUSE CLIP		
	Z1002	QNG0020-001Z	FUSE CLIP		
	Z1003	QNG0020-001Z	FUSE CLIP		

■ Electrical parts list (CD servo board)

Block No. 03

△	Item	Parts number	Parts name	Remarks	Area	△	Item	Parts number	Parts name	Remarks	Area
	C 601	NCB31HK-102X	C CAPACITOR				CN606	QGF1205F1-05	CONNECTOR		
	C 602	NCB31HK-102X	C CAPACITOR				CN651	QGF1205F1-16	CONNECTOR		
	C 603	NCB31HK-223X	C CAPACITOR				CN652	QGF1205F1-13	CONNECTOR		
	C 604	NCB31HK-223X	C CAPACITOR				CN801	QGA2001C1-06	6P PLUG ASSY		
	C 605	NCS31HJ-151X	C CAPACITOR				D 601	1SS355-X	DIODE		
	C 606	NCS31HJ-560X	C CAPACITOR				D 602	1SS355-X	DIODE		
	C 610	NCB31CK-273X	C CAPACITOR				D 831	MTZJ5.6B-T2	Z DIODE		
	C 612	QERF1HM-105Z	E CAPACITOR	1.0MF 20% 50V			IC601	AN22000A-W	IC		
	C 613	NCF31AZ-105X	C CAPACITOR				IC651	MN662748RPMFA	IC		
	C 614	NCB31CK-273X	C CAPACITOR				IC801	LA6541-X	IC		
	C 615	NCB31HK-472X	C CAPACITOR				IC802	LB1641	IC		
	C 616	NCB31HK-103X	C CAPACITOR				L 831	QQL244K-100Z	INDUCTOR		
	C 617	NCS31HJ-331X	C CAPACITOR				Q 631	2SA1037AK/RS/-X	TRANSISTOR		
	C 619	NCS31HJ-470X	C CAPACITOR				Q 801	2SA952/LK-T	TRANSISTOR		
	C 621	NCF31AZ-105X	C CAPACITOR			△	R 601	NRSA63J-224X	MG RESISTOR		
	C 622	NCB31CK-473X	C CAPACITOR			△	R 602	NRSA63J-274X	MG RESISTOR		
	C 623	NCF31AZ-105X	C CAPACITOR				R 603	NRSA63J-124X	MG RESISTOR		
	C 624	QERF0JM-107Z	E CAPACITOR	100MF 20% 6.3V			R 604	NRSA63J-274X	MG RESISTOR		
	C 631	QERF1CM-106Z	E CAPACITOR	10MF 20% 16V		△	R 605	NRSA63J-0R0X	MG RESISTOR		
	C 632	NCF31AZ-105X	C CAPACITOR				R 606	NRSA63J-0R0X	MG RESISTOR		
	C 633	NCB31HK-223X	C CAPACITOR				R 607	NRSA63J-623X	MG RESISTOR		
	C 641	NCB31HK-223X	C CAPACITOR				R 610	NRSA63J-822X	MG RESISTOR		
	C 642	NCB31HK-222X	C CAPACITOR				R 611	NRSA63J-822X	MG RESISTOR		
	C 643	NCS31HJ-821X	C CAPACITOR				R 612	NRSA63J-223X	MG RESISTOR		
	C 651	NCS31HJ-120X	C CAPACITOR				R 613	NRSA63J-222X	MG RESISTOR		
	C 652	NCS31HJ-120X	C CAPACITOR				R 617	NRSA63J-332X	MG RESISTOR		
	C 653	NCB31CK-104X	C CAPACITOR				R 618	NRSA63J-153X	MG RESISTOR		
	C 654	NCS31HJ-151X	C CAPACITOR				R 619	NRSA63J-153X	MG RESISTOR		
	C 655	NCB31CK-104X	C CAPACITOR				R 620	NRSA63J-564X	MG RESISTOR		
	C 656	NCB31CK-104X	C CAPACITOR				R 621	NRSA63J-564X	MG RESISTOR		
	C 657	QERF1AM-227Z	E CAPACITOR	220MF 20% 10V			R 631	NRSA63J-2R2X	MG RESISTOR		
	C 658	NCB31CK-104X	C CAPACITOR				R 632	NRSA63J-100X	MG RESISTOR		
	C 661	NCS31HJ-471X	C CAPACITOR				R 634	NRSA63J-120X	MG RESISTOR		
	C 663	NCB31HK-223X	C CAPACITOR				R 635	NRSA63J-121X	MG RESISTOR		
	C 664	NCB31HK-223X	C CAPACITOR				R 636	NRSA63J-100X	MG RESISTOR		
	C 665	NCB31AK-154X	C CAPACITOR				R 641	NRSA63J-154X	MG RESISTOR		
	C 669	QERF1AM-227Z	E CAPACITOR	220MF 20% 10V			R 642	NRSA63J-394X	MG RESISTOR		
	C 670	NCS31HJ-151X	C CAPACITOR				R 643	NRSA63J-223X	MG RESISTOR		
	C 671	NCS31HJ-151X	C CAPACITOR				R 647	NRSA63J-0R0X	MG RESISTOR		
	C 672	NCS31HJ-151X	C CAPACITOR				R 651	NRSA63J-102X	MG RESISTOR		
	C 673	QERF1AM-227Z	E CAPACITOR	220MF 20% 10V			R 652	NRSA63J-102X	MG RESISTOR		
	C 676	NCB31CK-104X	C CAPACITOR				R 653	NRSA63J-102X	MG RESISTOR		
	C 677	NCB31CK-104X	C CAPACITOR				R 654	NRSA63J-101X	MG RESISTOR		
	C 679	QERF0JM-107Z	E CAPACITOR	100MF 20% 6.3V			R 655	NRSA63J-102X	MG RESISTOR		
	C 680	NCB31CK-104X	C CAPACITOR				R 656	NRSA63J-102X	MG RESISTOR		
	C 681	NCB31AK-334X	C CAPACITOR				R 657	NRSA63J-0R0X	MG RESISTOR		
	C 693	NCB31HK-222X	C CAPACITOR				R 658	NRSA63J-0R0X	MG RESISTOR		
	C 694	NCB31HK-222X	C CAPACITOR				R 659	NRSA63J-0R0X	MG RESISTOR		
	C 801	NCB31HK-682X	C CAPACITOR				R 661	NRSA63J-393X	MG RESISTOR		
	C 802	NCB31HK-123X	C CAPACITOR				R 662	NRSA63J-683X	MG RESISTOR		
	C 811	NCS31HJ-391X	C CAPACITOR				R 663	NRSA63J-124X	MG RESISTOR		
	C 812	NCS31HJ-391X	C CAPACITOR				R 664	NRSA63J-331X	MG RESISTOR		
	C 813	NCS31HJ-391X	C CAPACITOR				R 665	NRSA63J-271X	MG RESISTOR		
	C 814	NCS31HJ-391X	C CAPACITOR				R 666	NRSA63J-221X	MG RESISTOR		
	C 815	QEQF1HM-225Z	NP E CAPACITOR	1.0MF 20% 50V			R 667	NRSA63J-4R7X	MG RESISTOR		
	C 821	NCF31AZ-105X	C CAPACITOR				R 670	NRSA63J-101X	MG RESISTOR		
	C 822	QERF1AM-227Z	E CAPACITOR	220MF 20% 10V			R 681	NRSA63J-272X	MG RESISTOR		
	C 823	QERF1AM-227Z	E CAPACITOR	220MF 20% 10V			R 682	NRSA63J-102X	MG RESISTOR		
	C 824	NCB31HK-222X	C CAPACITOR				R 683	NRSA63J-105X	MG RESISTOR		
	C 831	EEKJ1CM-107ZJC	E CAPACITOR				R 684	NRSA63J-155X	MG RESISTOR		
	C 832	NCB31HK-103X	C CAPACITOR				R 691	NRSA63J-102X	MG RESISTOR		
	C 833	NCB31CK-104X	C CAPACITOR				R 692	NRSA63J-102X	MG RESISTOR		
	CN601	QGF1016F1-15	FFC/FPC CONNE				R 801	NRSA63J-272X	MG RESISTOR		

■ Electrical parts list (CD servo board)

Block No. 03

△	Item	Parts number	Parts name	Remarks	Area
	R 802	NRSA63J-392X	MG RESISTOR		
	R 803	NRSA63J-222X	MG RESISTOR		
	R 804	NRSA63J-224X	MG RESISTOR		
	R 805	NRSA63J-133X	MG RESISTOR		
	R 806	NRSA63J-243X	MG RESISTOR		
	R 807	NRSA63J-122X	MG RESISTOR		
	R 808	NRSA63J-273X	MG RESISTOR		
	R 809	NRSA63J-122X	MG RESISTOR		
	R 812	NRSA63J-152X	MG RESISTOR		
	R 821	NRSA63J-0R0X	MG RESISTOR		
	R 822	NRSA63J-473X	MG RESISTOR		
	R 831	QRE141J-100Y	C RESISTOR	10 5% 1/4W	
	W 605	QJP001-031601	SHI CR C-B WIRE		
	X 651	QAX0413-001Z	CRYSTAL		

■ Electrical parts list (Tuner board)

Block No. 04

△	Item	Parts number	Parts name	Remarks	Area
	C 1	NCB21HK-223X	C CAPACITOR		
	C 2	NCB21HK-103X	C CAPACITOR		
	C 3	EETC1CM-106ZJC	E CAPACITOR		
	C 4	NCB21HK-103X	C CAPACITOR		
	C 6	NCB21HK-102X	C CAPACITOR		
	C 7	NCB21HK-102X	C CAPACITOR		
	C 8	NCB21HK-102X	C CAPACITOR		
	C 10	NRSA02J-0R0X	MG RESISTOR		
	C 11	NCB21HK-223X	C CAPACITOR		
	C 12	NCB21HK-473X	C CAPACITOR		
	C 13	NCS21HJ-120X	C CAPACITOR		
	C 14	EEKC1AM-107ZJC	E CAPACITOR		
	C 15	NCS21HJ-120X	C CAPACITOR		
	C 16	NCS21HJ-120X	C CAPACITOR		
	C 17	NCB21HK-102X	C CAPACITOR		
	C 18	QENC1HM-474Z	NP E CAPACITOR	.47MF 20% 50V	
	C 19	NCB21HK-473X	C CAPACITOR		
	C 20	NCB21HK-102X	C CAPACITOR		
	C 21	NCB21HK-223X	C CAPACITOR		
	C 22	NCS21HJ-151X	C CAPACITOR		
	C 23	NCS21HJ-151X	C CAPACITOR		
	C 24	NCS21HJ-151X	C CAPACITOR		
	C 25	EEKC1AM-107ZJC	E CAPACITOR		
	C 26	NCB21HK-102X	C CAPACITOR		
	C 27	NCB21HK-102X	C CAPACITOR		
	C 30	EEKC1CM-107ZJC	E CAPACITOR		
	C 31	EETC1CM-226ZJC	E CAPACITOR		
	C 32	NCB21HK-473X	C CAPACITOR		
	C 33	NCB21HK-473X	C CAPACITOR		
	C 34	NCB21HK-223X	C CAPACITOR		
	C 35	NCB21HK-473X	C CAPACITOR		
	C 36	EEKC1HM-105ZJC	E CAPACITOR		
	C 37	EEKC1HM-105ZJC	E CAPACITOR		
	C 38	EETC1HM-224ZJC	E CAPACITOR		
	C 39	EETC1HM-105ZJC	E CAPACITOR		
	C 40	QETN1CM-106Z	E CAPACITOR	10MF 20% 16V	
	C 41	QETN1CM-106Z	E CAPACITOR	10MF 20% 16V	
	C 42	NCB21HK-222X	C CAPACITOR		
	C 43	NCB21HK-222X	C CAPACITOR		
	C 44	QETN1CM-106Z	E CAPACITOR	10MF 20% 16V	
	C 45	QETN1CM-106Z	E CAPACITOR	10MF 20% 16V	
	C 46	NCB21HK-273X	C CAPACITOR		
	C 47	EETC1HM-105ZJC	E CAPACITOR		
	C 48	NCB21HK-222X	C CAPACITOR		
	C 49	NCB21HK-821X	C CAPACITOR		
	C 50	EETC1CM-226ZJC	E CAPACITOR		
	C 51	EEKC1HM-105ZJC	E CAPACITOR		
	C 52	QFVJ1HJ-274Z	MF CAPACITOR	.27MF 5% 50V	
	C 53	EETC1CM-226ZJC	E CAPACITOR		
	C 54	NCB21HK-473X	C CAPACITOR		
	C 57	NCB21HK-102X	C CAPACITOR		
	C 58	NCB21HK-473X	C CAPACITOR		
	C 59	NCB21HK-102X	C CAPACITOR		
	CF 1	QAX0677-001Z	C FILTER		
	CF 2	QAX0677-001Z	C FILTER		
	CF 3	QAX0610-001Z	C DISCRIMINATOR		
	CN 1	QGF1205F1-09	CONNECTOR		
	D 1	1SS133-T2	SI DIODE		
	D 2	1SS133-T2	SI DIODE		
	D 3	1SS133-T2	SI DIODE		
	D 4	1SS133-T2	SI DIODE		
	D 11	1SS133-T2	SI DIODE		
	IC 1	LA1838	IC		

△	Item	Parts number	Parts name	Remarks	Area
	IC 2	LC72136N	IC		
	J 1	QNB0014-001	ANT TERMINAL		
	L 1	QQR0796-002	COIL BLOCK		
	Q 1	2SC2814/4-5/-X	TRANSISTOR		
	Q 5	DTA114YKA-X	TRANSISTOR		
	R 1	QRE141J-560Y	C RESISTOR	56 5% 1/4W	
	R 2	NRSA02J-331X	MG RESISTOR		
	R 3	NRSA02J-224X	MG RESISTOR		
	R 4	NRSA02J-331X	MG RESISTOR		
	R 5	NRSA02J-0R0X	MG RESISTOR		
	R 6	NRSA02J-240X	RESISTOR		
	R 10	NRSA02J-222X	MG RESISTOR		
	R 13	NRSA02J-103X	MG RESISTOR		
	R 14	NRSA02J-104X	MG RESISTOR		
	R 15	NRSA02J-222X	MG RESISTOR		
	R 16	NRSA02J-472X	MG RESISTOR		
△	R 17	QRZ9005-680X	F RESISTOR	68 1/4W	
	R 18	NRSA02J-102X	MG RESISTOR		
	R 19	NRSA02J-102X	MG RESISTOR		
	R 20	NRSA02J-102X	MG RESISTOR		
	R 21	NRSA02J-562X	MG RESISTOR		
	R 22	NRSA02J-472X	MG RESISTOR		
	R 23	NRSA02J-822X	MG RESISTOR		
	R 24	NRSA02J-103X	MG RESISTOR		
	R 25	NRSA02J-331X	MG RESISTOR		
	R 26	NRSA02J-222X	MG RESISTOR		
	R 27	NRSA02J-103X	MG RESISTOR		
	R 28	NRSA02J-103X	MG RESISTOR		
	R 29	NRSA02J-103X	MG RESISTOR		
	R 30	NRSA02J-122X	MG RESISTOR		
	R 31	NRSA02J-102X	MG RESISTOR		
	R 32	NRSA02J-102X	MG RESISTOR		
	R 33	NRSA02J-331X	MG RESISTOR		
	R 34	NRSA02J-470X	MG RESISTOR		
	R 35	NRSA02J-562X	MG RESISTOR		
	R 36	NRSA02J-332X	MG RESISTOR		
	R 37	NRSA02J-103X	MG RESISTOR		
	R 38	NRSA02J-563X	MG RESISTOR		
	R 39	NRSA02J-623X	MG RESISTOR		
	R 40	NRSA02J-243X	MG RESISTOR		
	R 41	NRSA02J-332X	MG RESISTOR		
	R 60	NRSA02J-0R0X	MG RESISTOR		
	T 1	QQR0793-001	IFT		
	TU 1	QAU0161-001	FRONT END		
	X 1	QAX0402-001	CRYSTAL		

■ Electrical parts list (Head amplifier board) Block No. 05

△	Item	Parts number	Parts name	Remarks	Area
	C 101	NCS21HJ-821X	C CAPACITOR		
	C 102	NCS21HJ-221X	C CAPACITOR		
	C 103	QEKJ0JM-227Z	E CAPACITOR	220MF 20% 6.3V	
	C 104	NCB21HK-333X	C CAPACITOR		
	C 105	NCB21HK-222X	C CAPACITOR		
	C 106	QEK41CM-106	E CAPACITOR	10MF 20% 16V	
	C 107	NCS21HJ-561X	C CAPACITOR		
	C 108	QEK41EM-475	E CAPACITOR	4.7MF 20% 25V	
	C 109	QEK41EM-475	E CAPACITOR	4.7MF 20% 25V	
	C 110	NCB21HK-682X	C CAPACITOR		
	C 111	NCB21HK-152X	C CAPACITOR		
	C 113	NCB21HK-393X	C CAPACITOR		
	C 121	NCS21HJ-331X	C CAPACITOR		
	C 201	NCS21HJ-821X	C CAPACITOR		
	C 202	NCS21HJ-221X	C CAPACITOR		
	C 203	QEKJ0JM-227Z	E CAPACITOR	220MF 20% 6.3V	
	C 204	NCB21HK-333X	C CAPACITOR		
	C 205	NCB21HK-222X	C CAPACITOR		
	C 206	QEK41CM-106	E CAPACITOR	10MF 20% 16V	
	C 207	NCS21HJ-561X	C CAPACITOR		
	C 208	QEK41EM-475	E CAPACITOR	4.7MF 20% 25V	
	C 209	QEK41EM-475	E CAPACITOR	4.7MF 20% 25V	
	C 210	NCB21HK-682X	C CAPACITOR		
	C 211	NCB21HK-152X	C CAPACITOR		
	C 213	NCB21HK-393X	C CAPACITOR		
	C 221	NCS21HJ-331X	C CAPACITOR		
	C 301	QEKJ1AM-107Z	E CAPACITOR	100MF 20% 10V	
	C 302	NCB21HK-393X	C CAPACITOR		
	C 303	QEKJ0JM-227Z	E CAPACITOR	220MF 20% 6.3V	
	C 304	QEKJ1CM-226Z	E CAPACITOR	22MF 20% 16V	
	C 305	QEKJ1CM-226Z	E CAPACITOR	22MF 20% 16V	
	C 306	QEK41CM-476	E CAPACITOR	47MF 20% 16V	
	C 307	NCB21HK-103X	C CAPACITOR		
	C 308	NCB21HK-152X	C CAPACITOR		
	C 310	NCB21HK-223X	C CAPACITOR		
	C 313	QEKJ1AM-107Z	E CAPACITOR	100MF 20% 10V	
	C 314	QCZ0205-155Z	ML C CAPACITOR	1.5MF	
	C 316	QFG32AJ-223Z	PP CAPACITOR	.022MF 5% 100V	
	C 319	QFLM1HJ-472Z	M CAPACITOR	4700PF 5% 50V	
	C 331	QEK41CM-476	E CAPACITOR	47MF 20% 16V	
	C 334	QEK41EM-475	E CAPACITOR	4.7MF 20% 25V	
	C 371	QEK41EM-475	E CAPACITOR	4.7MF 20% 25V	
	C 374	QEKJ1AM-107Z	E CAPACITOR	100MF 20% 10V	
	C 376	NCB21HK-103X	C CAPACITOR		
	CN 31	QGF1201F3-06	CONNECTOR	PRI/HEAD	
	CN 32	QGB2011M1-10	B TO B CONNECTOR	PRI/MECHA	
	CN 33	QGF1205F1-09	CONNECTOR	PRI/MICON	
	CN 34	QGF1201F3-10	CONNECTOR	PRI/AMP	
	D 375	MA3051/M-X	ZENER DIODE		
	FW 31	QUM024-06A2Z3	PARA RIBON WIRE		
	IC 31	BA3126N	IC	HEAD SW	
	IC 32	AN7317	IC	PB&REC	
	IC 33	BU4094BCF-X	IC		
	L 301	QQR1118-001	OSC COIL(BIAS)		
	L 303	QQL244K-100Z	INDUCTOR		
	Q 101	DTC114TKA-X	TRANSISTOR	70U/12U	
	Q 103	DTC114TKA-X	TRANSISTOR	TAR	
	Q 201	DTC114TKA-X	TRANSISTOR	70U/12U	
	Q 203	DTC114TKA-X	TRANSISTOR	TAR	
	Q 302	2SC2001/K/-T	TRANSISTOR	OSC	
	Q 305	2SC2001/LK/-T	TRANSISTOR	SW	
	Q 321	DTC144EKA-X	TRANSISTOR	BUFFER	
	Q 331	DTC114TKA-X	TRANSISTOR		

△	Item	Parts number	Parts name	Remarks	Area
	Q 371	2SA952/LK/-T	TRANSISTOR	MOTER+B	
	Q 372	DTC124EKA-X	TRANSISTOR		
	Q 375	2SB562/C/-T	TRANSISTOR	SOLENOID DRIVE	
	Q 376	2SC2412K/RS/-X	CHIP TRANSISTOR		
	R 101	NRSA63J-220X	MG RESISTOR		
	R 102	NRSA63J-182X	MG RESISTOR		
	R 103	NRSA63J-242X	MG RESISTOR		
	R 104	NRSA63J-122X	MG RESISTOR		
	R 105	NRSA63J-104X	MG RESISTOR		
	R 106	NRSA63J-332X	MG RESISTOR		
	R 107	NRSA63J-123X	MG RESISTOR		
	R 108	NRSA63J-562X	MG RESISTOR		
	R 109	NRSA63J-102X	MG RESISTOR		
	R 110	NRSA63J-272X	MG RESISTOR		
	R 111	NRSA63J-363X	MG RESISTOR		
	R 112	NRSA63J-222X	MG RESISTOR		
	R 116	NRSA63J-102X	MG RESISTOR		
	R 121	NRSA63J-153X	MG RESISTOR		
	R 122	NRSA63J-102X	MG RESISTOR		
	R 201	NRSA63J-220X	MG RESISTOR		
	R 202	NRSA63J-182X	MG RESISTOR		
	R 203	NRSA63J-242X	MG RESISTOR		
	R 204	NRSA63J-122X	MG RESISTOR		
	R 205	NRSA63J-104X	MG RESISTOR		
	R 206	NRSA63J-332X	MG RESISTOR		
	R 207	NRSA63J-123X	MG RESISTOR		
	R 208	NRSA63J-562X	MG RESISTOR		
	R 209	NRSA63J-102X	MG RESISTOR		
	R 210	NRSA63J-272X	MG RESISTOR		
	R 211	NRSA63J-363X	MG RESISTOR		
	R 212	NRSA63J-222X	MG RESISTOR		
	R 216	NRSA63J-102X	MG RESISTOR		
	R 221	NRSA63J-153X	MG RESISTOR		
	R 222	NRSA63J-102X	MG RESISTOR		
	R 301	NRS181J-221X	MG RESISTOR		
	R 303	NRSA63J-393X	MG RESISTOR		
	R 304	NRS181J-101X	MG RESISTOR		
	R 305	NRSA63J-222X	MG RESISTOR		
	R 310	QRJ146J-4R7X	UNF C RESISTOR	4.7 5% 1/4W	
	R 313	NRSA63J-2R2X	MG RESISTOR		
	R 314	NRSA63J-153X	MG RESISTOR		
	R 315	NRSA63J-101X	MG RESISTOR		
	R 327	NRSA63J-474X	MG RESISTOR		
	R 335	NRSA63J-152X	MG RESISTOR		
	R 336	NRSA63J-472X	MG RESISTOR		
	R 337	NRSA63J-332X	MG RESISTOR		
	R 338	NRSA63J-392X	MG RESISTOR		
	R 339	NRSA63J-222X	MG RESISTOR		
	R 340	NRS181J-391X	MG RESISTOR		
	R 341	NRSA63J-123X	MG RESISTOR		
	R 342	NRSA63J-203X	MG RESISTOR		
	R 343	NRSA63J-183X	MG RESISTOR		
	R 345	NRSA63J-222X	MG RESISTOR		
△	R 353	QRZ9005-100X	F RESISTOR	10 1/4W	
	R 371	NRSA63J-123X	MG RESISTOR		
	R 372	NRSA63J-102X	MG RESISTOR		
	R 375	NRSA02J-151X	MG RESISTOR	1/8W	
	R 376	NRSA63J-472X	MG RESISTOR		
	VR 31	QVP0008-203Z	SEMI V RESISTOR	BIAS ADJ	
	VR 37	QVP0008-103Z	SEMI.V.RESISTOR	TAPE SPEED ADJ	

■ Electrical parts list (Cassette switch board) Block No. 06

△	Item	Parts number	Parts name	Remarks	Area
	CN 1	QGB2011L1-10	B TO B CONNECTOR		
	D 1	1SR139-400-T2	SI DIODE		
	IC 1	SG-105F3-BB,C	PHOTO SENSER		
	P 1	QNZ0104-001	POST PIN		
	SW 1	QSW0832-001	LEAF SWITCH	R.REC	
	SW 2	QSW0832-001	LEAF SWITCH	TAPE	
	SW 4	QSW0832-001	LEAF SWITCH	70U	
	SW 5	QSW0832-001	LEAF SWITCH	F.REC	
	SW 6	QSW0859-001	DETECT SWITCH		

< MEMO >

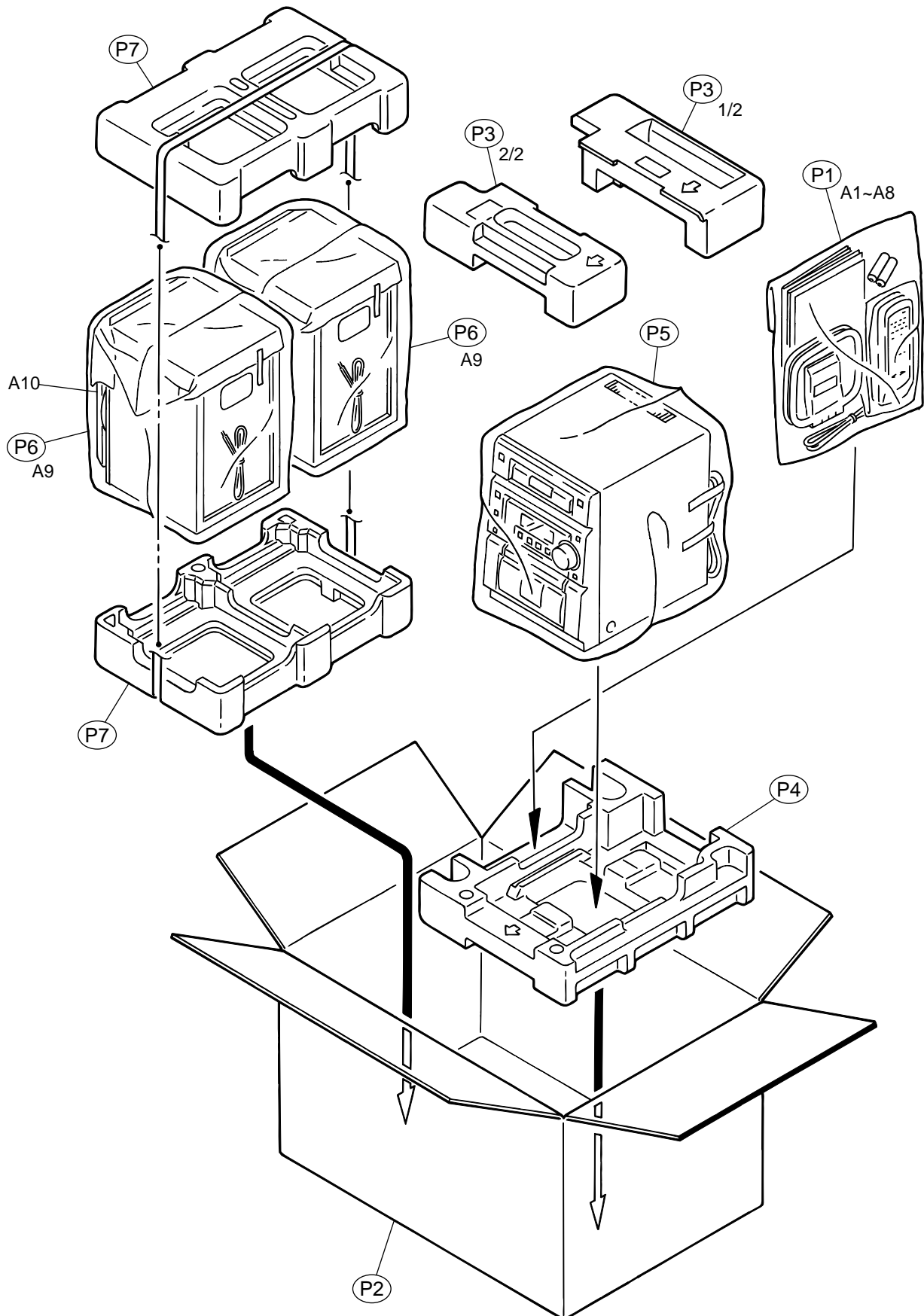
Packing materials and accessories parts list

Block No.

M	5	M	M
---	---	---	---

Block No.

M	6	M	M
---	---	---	---



Parts list (Packing)

Block No. M5MM

△	Item	Parts number	Parts name	Q'ty	Description	Area
	P 1	QPC02503515P	POLY BAG	1	FOR INST	
	P 2	GV20112-003A	PACKING CASE	1		
	P 3	GV10070-001A	CUSHION UPPER	1	FRONT/REAR	
	P 4	GV10075-001A	CUSHION BOTTOM	1		
	P 5	QPC05006515P	POLY BAG	1	FOR SET	
	P 6	700-120062-10	POLY BAG	2	FOR SPK	
	P 7	720-00UXP5-00	CUSHION	2		

Parts list (Accessories)

Block No. M6MM

△	Item	Parts number	Parts name	Q'ty	Description	Area
	A 1	QAL0014-001	AM LOOP ANT	1		
	A 2	EWP503-001C	ANT.WIRE	1		
	A 3	GVT0053-002A	INST BOOK	1	ENG, FRE	C
		GVT0053-001B	INST BOOK	1	ENG	J
	A 4	BT-51020-2	J=REGIST CARD	1		J
	A 5	RM-SFSP5J	REMOCON	1		
	A 6	-----	BATTERY	2		
	A 7	BT-52004-2	WARANTY CARD	1		C
	A 8	BT-20071B	SERVICE NETWORK	1		C
	A 9	UXP5K-SPBOX	SPEAKER BOX	2		
	A 10	201-00UXP5-10	SARAN BOARD	2		